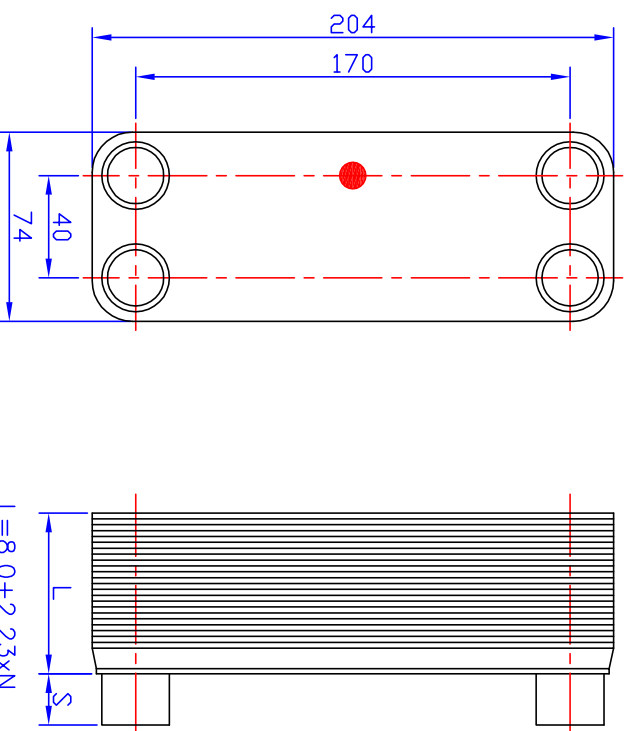


Standard Connections		Length	Primary	Secondary
C-PTL Size				
External Thread				
B	G1/2	S=20mm	<input type="checkbox"/>	<input type="checkbox"/>
C	G3/4	S=20mm	<input type="checkbox"/>	<input type="checkbox"/>
Internal Thread				
OZ	G1/2	S=20mm	<input type="checkbox"/>	<input type="checkbox"/>
Solder Connections				
DB	1/4" (ø6,4mm)	S=20mm	<input type="checkbox"/>	<input type="checkbox"/>
MO	ø 8,4 mm	S=20mm	<input type="checkbox"/>	<input type="checkbox"/>
NO	3/8" (ø9,9mm)	S=20mm	<input type="checkbox"/>	<input type="checkbox"/>
TZ	ø 10,3 mm	S=20mm	<input type="checkbox"/>	<input type="checkbox"/>
M	1/2" (ø13,0mm)	S=20mm	<input type="checkbox"/>	<input type="checkbox"/>
O	5/8" (ø16,5mm)	S=20mm	<input type="checkbox"/>	<input type="checkbox"/>
H	7/8" (ø22,35mm)	S=20mm	<input type="checkbox"/>	<input type="checkbox"/>
Additional Connections Backplate (Internal Thread)				
OZ	G 1/2	S=20mm	<input type="checkbox"/>	<input type="checkbox"/>
Other Connections on Inquiry:				

Primär Sekundär



$L=8,0+2,23 \times N$   
(theoretical dimension)  
(GBS100M)

$L=8,3+2,23 \times N$   
(theoretical dimension)  
(GBS100M-...R)

No. of Plates	8	10	14	20	24	30	34	40	44	50
Weight Empty (kg)	1,1	1,2	1,4	1,7	1,9	2,2	2,4	2,7	2,9	3,2
Surface (m <sup>2</sup> )	0,08	0,11	0,17	0,25	0,31	0,39	0,45	0,53	0,59	0,67

Approvals: PED + EN13445, other approvals on inquiry

GEA – Plate Heat Exchanger		Design Limits*		
Model	Plates	Solder	Temperature	Pressure
<input type="checkbox"/> GBS100M-...	1.4401	Copper	±200°C	30 bar

\*Attention: Connections can reduce the design limits!

Zachnungsname, Benennung, Werkstoff, Abmessungen usw		Zeichnungsnummer		Konstruktionsmodell, Werkstoff	
<b>GEA</b>					
Zachsnr	Vogt	Geprüft	Graichen	Genehmigt - datum	12.10.09
				Datum	10.01.09
				Maßstab	1:3
Firmenname <b>GEA WTT GmbH</b> Remsoer Str. 2a 04603 Nobitz - Wilchwitz Germany Tel.:+49(0)3447-5539-0 / Fax:+49(0)3447-5539-30 www.gea-phe.com ecobr@ze.phe.de@geogroup.com			Zeichnungsname <b>Plate Heat Exchanger GBS100M</b> Zeichnungsnummer <b>GBS100M-0812.0910.02-E</b>		
				Blatt	

The manufacturer herewith certifies that construction, production and examination of his pressure vessel are in conformity with EU guideline 97/23/EC.